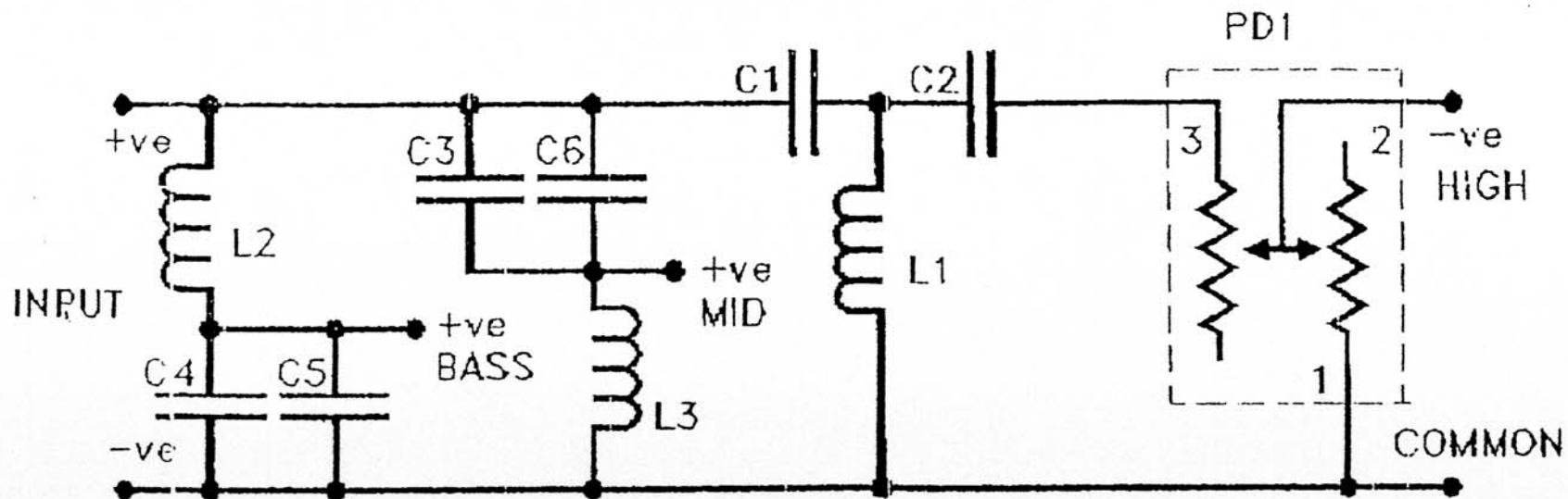


TMS-5



		STOCK CODE
C1	2.2uF 250Vdc polypropylene	12590
C2	6.8uF 250Vdc polypropylene	12620
C3&C4	25uF 250Vdc polypropylene	12640
C5&C6	4.7uF 250Vdc polypropylene	12610
L1	0.45mH aircore V112	12050
L2	4.4mH ferrite core V125c	12100
L3	4.4mH aircore V126	12110
PD1	16ohm 50watt AT60	13030
Circuit Board only	PX 4	10530
	PX 500.1	10650
Circuit Board complete	PX 4	10290
with components	PX 500.1	10292

TO: STEVE