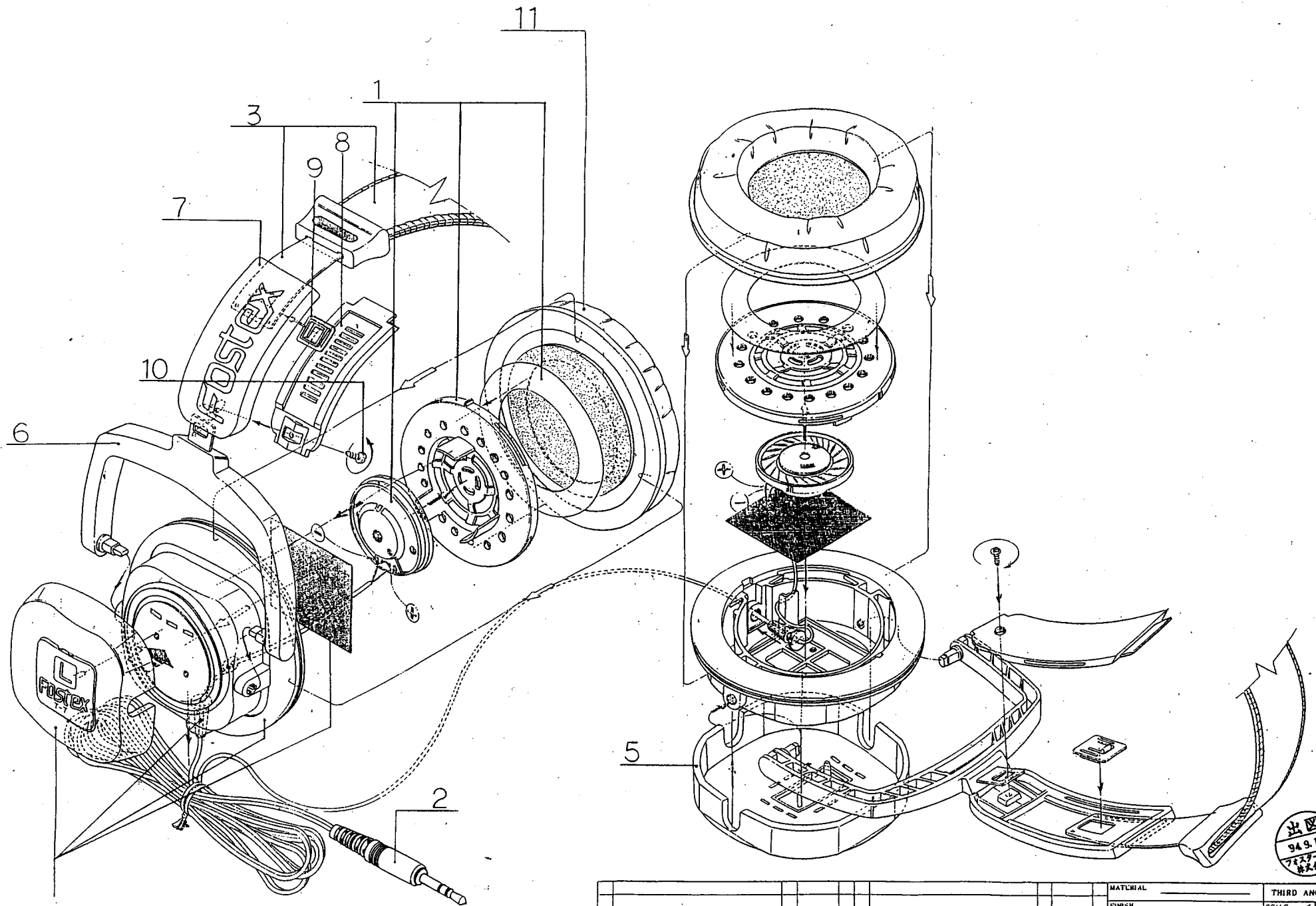


出図
94.9.17
フタスチー電機
株式会社

TOLENANCE	PROGRAM	OVER	3	6	10	15	20	30	40	50	70	100	150	200	300	400
0.005	1	1	1	1	1	1	1	1	1	1	1	1	1	1	1	1
0.01	1	1	1	1	1	1	1	1	1	1	1	1	1	1	1	1
0.02	1	1	1	1	1	1	1	1	1	1	1	1	1	1	1	1
0.05	1	1	1	1	1	1	1	1	1	1	1	1	1	1	1	1
0.1	1	1	1	1	1	1	1	1	1	1	1	1	1	1	1	1
0.2	1	1	1	1	1	1	1	1	1	1	1	1	1	1	1	1
0.5	1	1	1	1	1	1	1	1	1	1	1	1	1	1	1	1
1	1	1	1	1	1	1	1	1	1	1	1	1	1	1	1	1
2	1	1	1	1	1	1	1	1	1	1	1	1	1	1	1	1
5	1	1	1	1	1	1	1	1	1	1	1	1	1	1	1	1
10	1	1	1	1	1	1	1	1	1	1	1	1	1	1	1	1
20	1	1	1	1	1	1	1	1	1	1	1	1	1	1	1	1
50	1	1	1	1	1	1	1	1	1	1	1	1	1	1	1	1
100	1	1	1	1	1	1	1	1	1	1	1	1	1	1	1	1
200	1	1	1	1	1	1	1	1	1	1	1	1	1	1	1	1
500	1	1	1	1	1	1	1	1	1	1	1	1	1	1	1	1
1000	1	1	1	1	1	1	1	1	1	1	1	1	1	1	1	1
2000	1	1	1	1	1	1	1	1	1	1	1	1	1	1	1	1
5000	1	1	1	1	1	1	1	1	1	1	1	1	1	1	1	1
10000	1	1	1	1	1	1	1	1	1	1	1	1	1	1	1	1

MATERIAL				THIRD ANG. PROJ.	
FINISH				SCALE	QUANTITY
MODEL NO.				TOLERANCE CLASS	ANGLE
TITLE					
				P402491X0013	±
組立図 T-5					
DRAWING NO. M06-0332					
T-5					
REVISIONS	CHK	DATE	MANUFACTURE	REVISIONS	CHK DATE NAME
1		94.5.6	高		



出圖
94.9.17
万有電子電機
器株式會社

TOLERANCE	H / h		K / k		M / m		N / n		P / p		R / r		S / s		V / v	
	mm	mm	mm	mm	mm	mm	mm	mm	mm	mm	mm	mm	mm	mm	mm	mm
1711 (11067)	0.05	0.10	0.10	0.15	0.20	0.30	0.40	0.50	0.60	0.70	0.80	1.00	1.20	1.50	2.00	2.50
1712 (12167)	0.05	0.10	0.10	0.15	0.20	0.30	0.40	0.50	0.60	0.70	0.80	1.00	1.20	1.50	2.00	2.50
1713 (13167)	0.05	0.10	0.10	0.15	0.20	0.30	0.40	0.50	0.60	0.70	0.80	1.00	1.20	1.50	2.00	2.50
1714 (14167)	0.05	0.10	0.10	0.15	0.20	0.30	0.40	0.50	0.60	0.70	0.80	1.00	1.20	1.50	2.00	2.50
1715 (15167)	0.05	0.10	0.10	0.15	0.20	0.30	0.40	0.50	0.60	0.70	0.80	1.00	1.20	1.50	2.00	2.50

MATERIAL	_____	THIRD ANG. PROJ.	_____
FINISH	_____	SCALE	QUANTITY
MODEL NO.	P402491X0012	TOLERANCE CLASS	ANGLE
TITLE	組立圖 T-7		
DRAWING NO.	M06-0340		
DRW'G NO.	T-7		
REVISIONS	CHK	DATE	REVISIONS
1 初版発行		94.5.9	高

Service Parts List for Model T-5/T-7

March 6, 1995

T-5

<u>Ref.No.</u>	<u>Description</u>	<u>Part No.</u>
1.	Driver Unit Assy	1471100300
2.	Cord with Plug (*export model only)	1476501000
	Cord with Plug (*domestic model only)	1476502000
3.	Head Pad Assy	1466700200
4.	Housing L, Assy	1466300300
5.	Housing R, Assy	1466300400
6.	Hanger	1412002900
7.	Slider	1412003100
8.	Slider Cover	1412003300
9.	Spring	1423600100
10.	Tapping Screw	1414970100
11.	Ear Pad Assy	1466900400
	Adaptor Plug (*domestic model only)	1423004300
	Carrying Case, T-5/T-7	1412003500

T-7

<u>Ref.No.</u>	<u>Description</u>	<u>Part No.</u>
1.	Driver Unit Assy	1471100400
2.	Cord with Plug (*export model only)	1476501000
	Cord with Plug (*domestic model only)	1476502000
3.	Head Pad Assy	1466700300
4.	Housing L, Assy	1466300500
5.	Housing R, Assy	1466300600
6.	Hanger	1412003000
7.	Slider	1412003200
8.	Slider Cover	1412003400
9.	Spring	1423600100
10.	Tapping Screw	1414970100
11.	Ear Pad Assy	1466900500
	Adaptor Plug (*domestic model only)	1423004300
	Carrying Case, T-5/T-7	1412003500