

informazioni tecniche
technical information

Organi Elettronici
Electronic Organs

vip **202**

vip **202-R**

vip **202-CR**

 **FARFISA**

FARFISA S.p.A. / Strumenti Musicali / C.P. 204 / 60100 Ancona / Italia

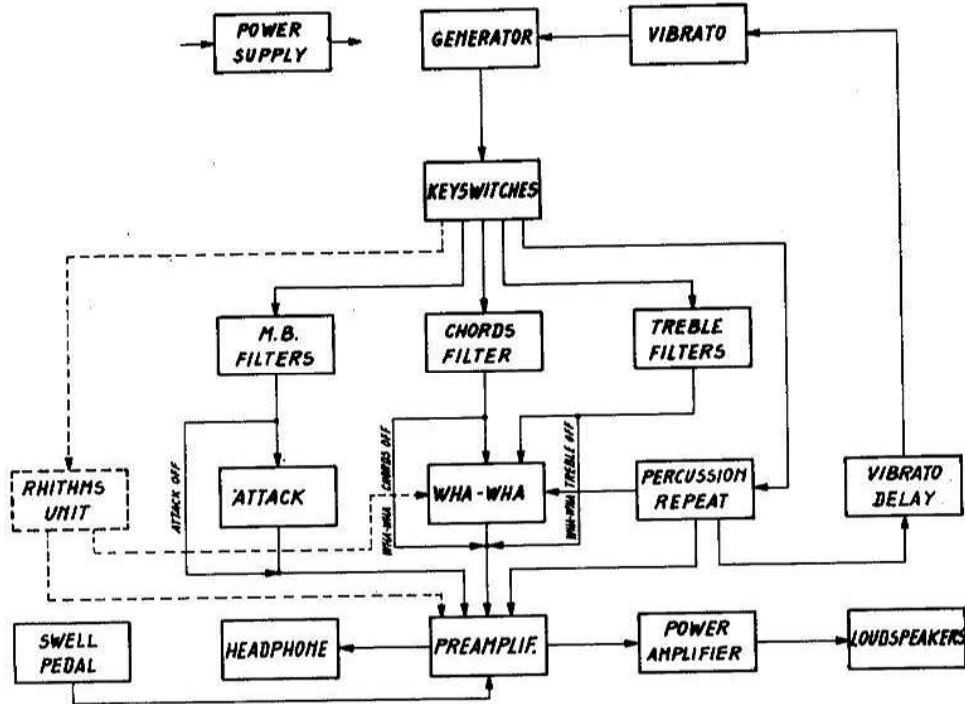
IMPORTANT : IN ANY CORRESPONDENCE CONCERNING THIS INSTRUMENT ALWAYS INCLUDE MODEL AND SERIAL NUMBERS!

PARTS ORDERING - When ordering parts be sure to include the following information:

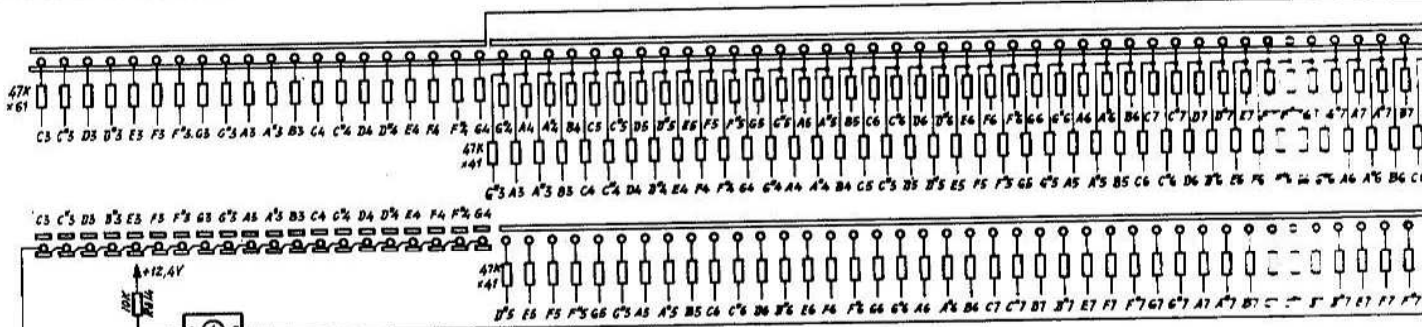
1. Model and serial Number of instrument.
2. Part Code.
3. A description of the Part.
4. Specify how you want the part shipped.

FARFISA COMPANY - WHOSE POLICY IS CONSTANTLY DIRECTED TO IMPROVEMENTS AND NEW DEVELOPMENTS - RESERVES THE RIGHT TO CHANGE SPECIFICATIONS, DESIGNS, PRICES, MODELS AND TO DISCONTINUE MODELS WITHOUT NOTICE AND LIABILITY.

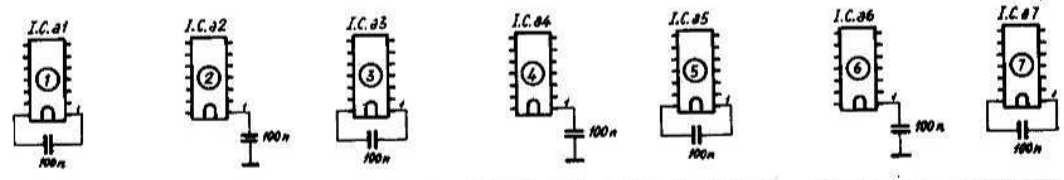
BLOCK DIAGRAM



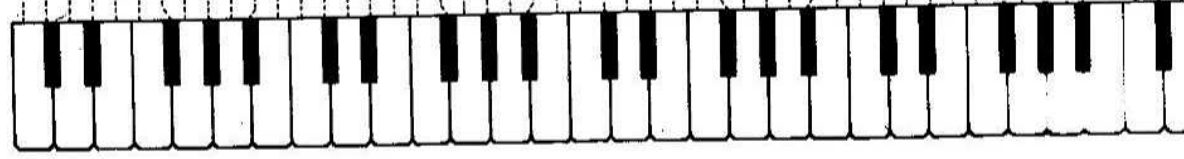
SLALOM

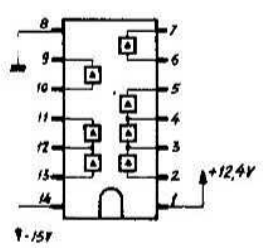
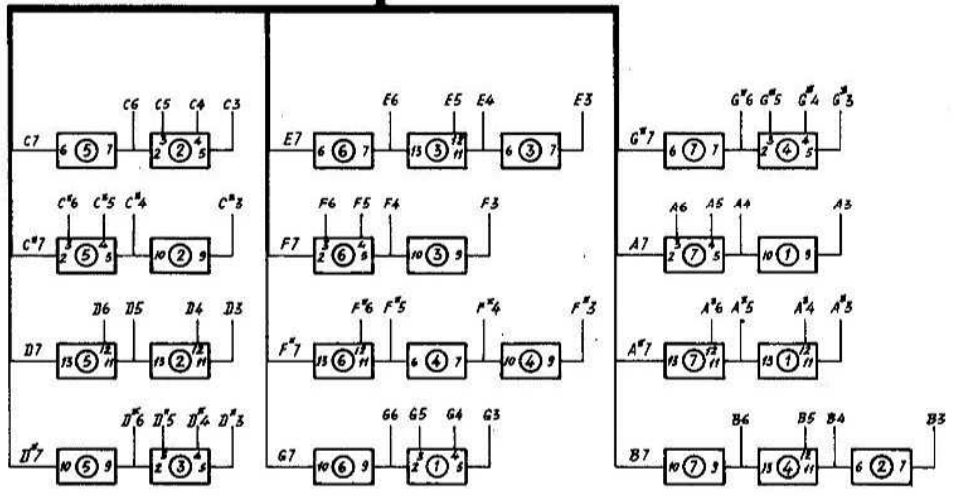
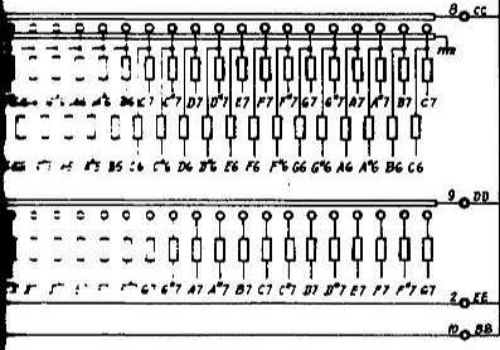
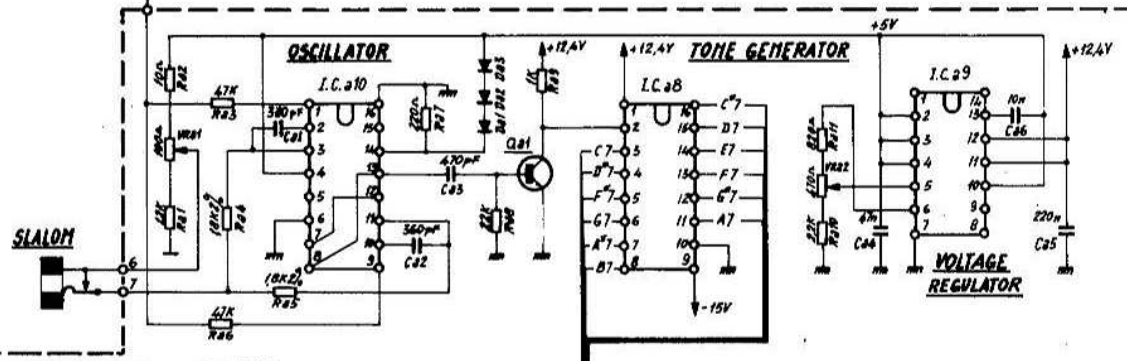
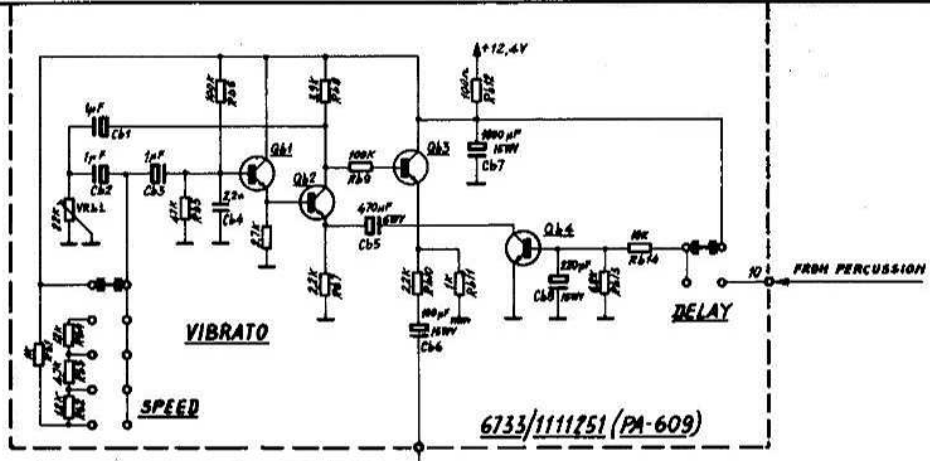


KEYSWITCHES

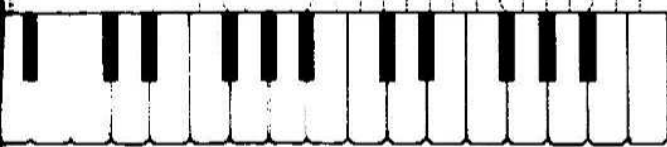


16'	I.C.	N°	2	2	3	3	4	1	4	1	1	2	2	5	2	3	6	4	1	4	7	1	4	2	5	5	3	3	6	6	1	4	7	4	5	5	5	6	6	6	7	7	8	8							
8'	PIH	N°	5	9	11	5	7	9	9	5	9	11	7	4	5	12	4	11	5	7	4	4	5	12	11	3	4	11	3	12	4	11	3	4	11	12	7	3	12	8	7	3	12	9	7	7	12	5	16	15	
2 2/3	I.C.	N°																																																	
	PIH	N°																																																	



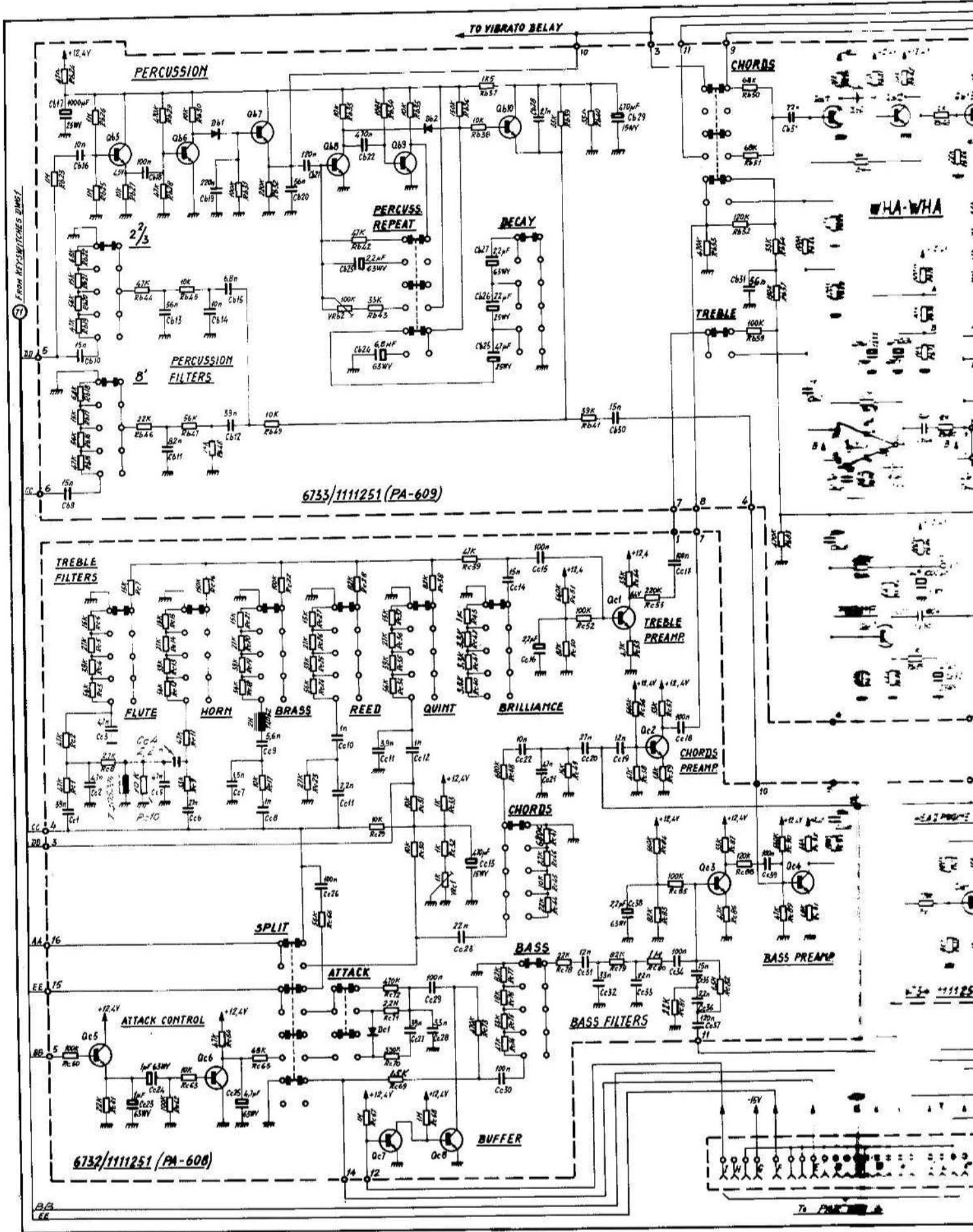


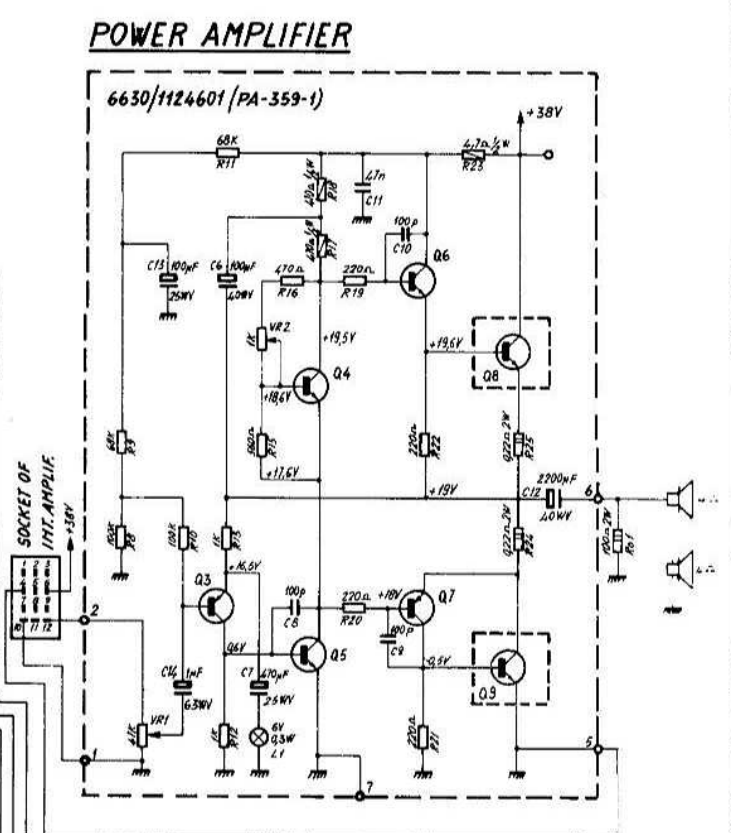
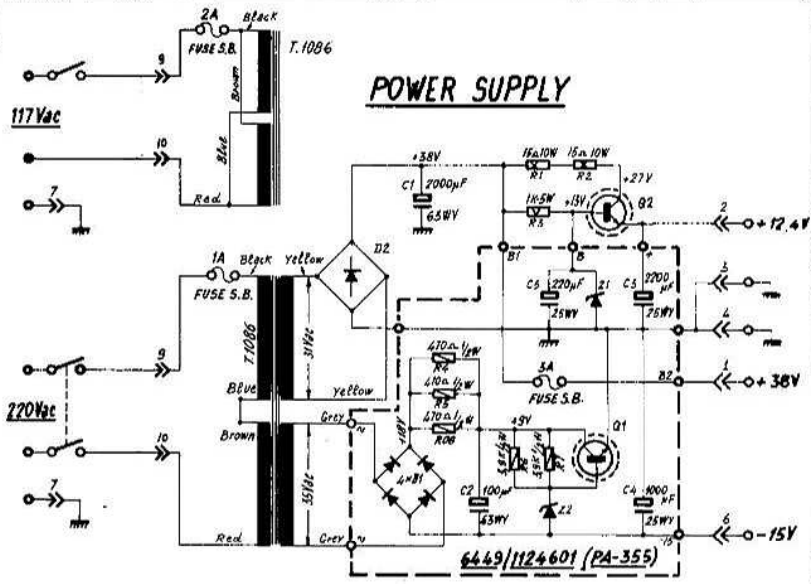
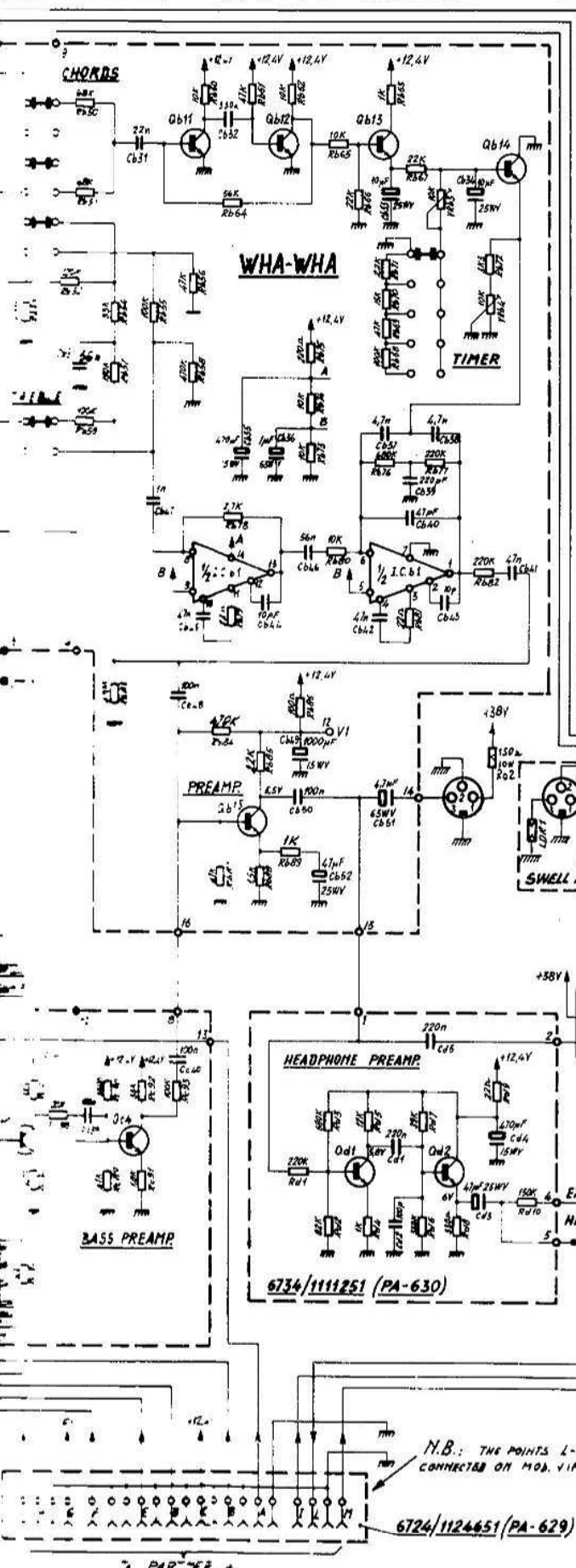
7	5	5	5	6	6	7	7	8	8	8	8	8	8	8	8	8	8	8	8
6	2	3	2	3	2	3	2	3	2	3	2	3	2	3	2	3	2	3	2
5	4	5	4	5	4	5	4	5	4	5	4	5	4	5	4	5	4	5	4
4	3	4	3	4	3	4	3	4	3	4	3	4	3	4	3	4	3	4	3



- ALL RESISTORS 1/4W UNLESS OTHERWISE INDICATED
- ALL TABSWITCHES SHOWN IN OFF POSITION
- ALL KEYSWITCHES " " "
- SEE PART LIST FOR COMPONENT PART NUMBERS
- ALL D.C. VOLTAGES MEASURED TO GROUND WITH A VOLTMETER 20000 Ω/V

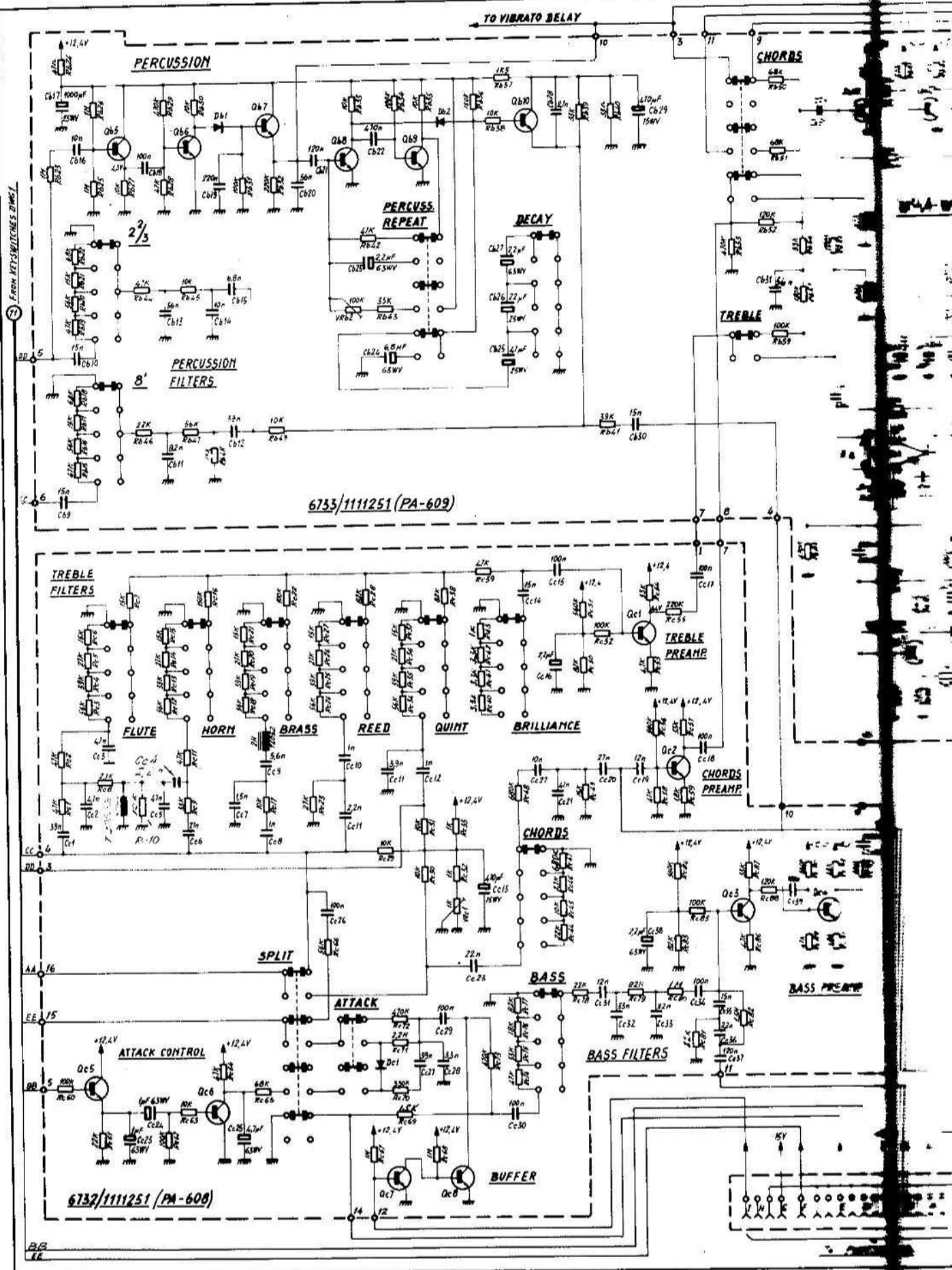
MOD: VIP202-202K	SERIAL N°		
CODE: SE/242	REVISION		
DATE: 14-10-75	DATE	14-10-75	14-10-75
DWG. 1 OF 2			

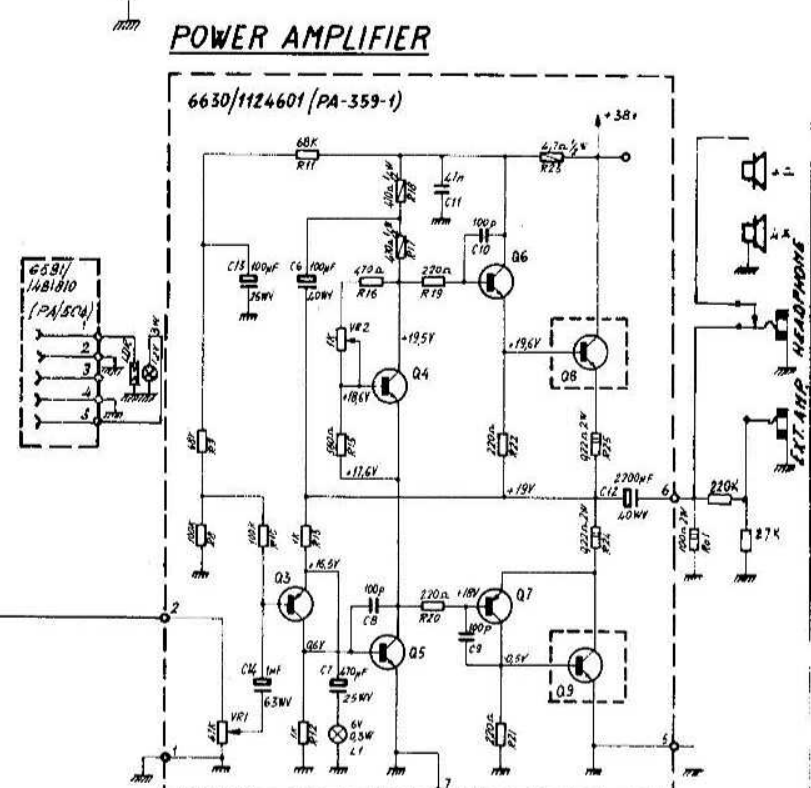
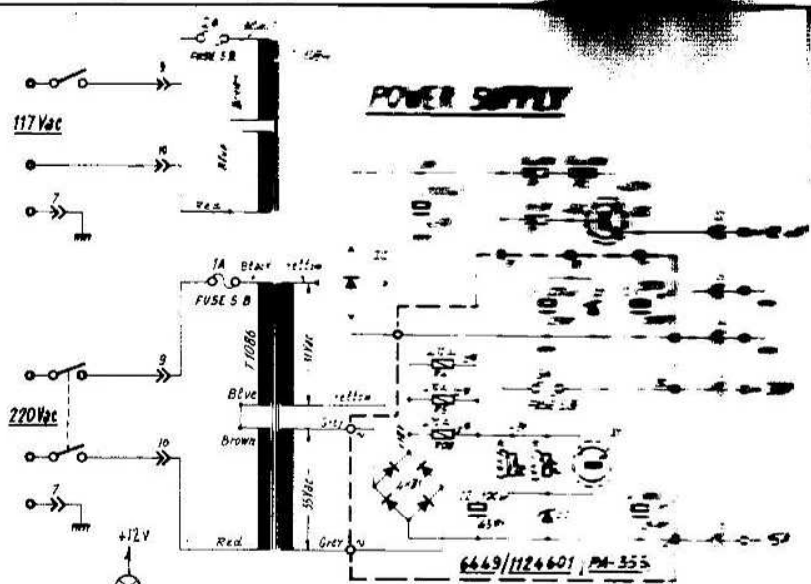
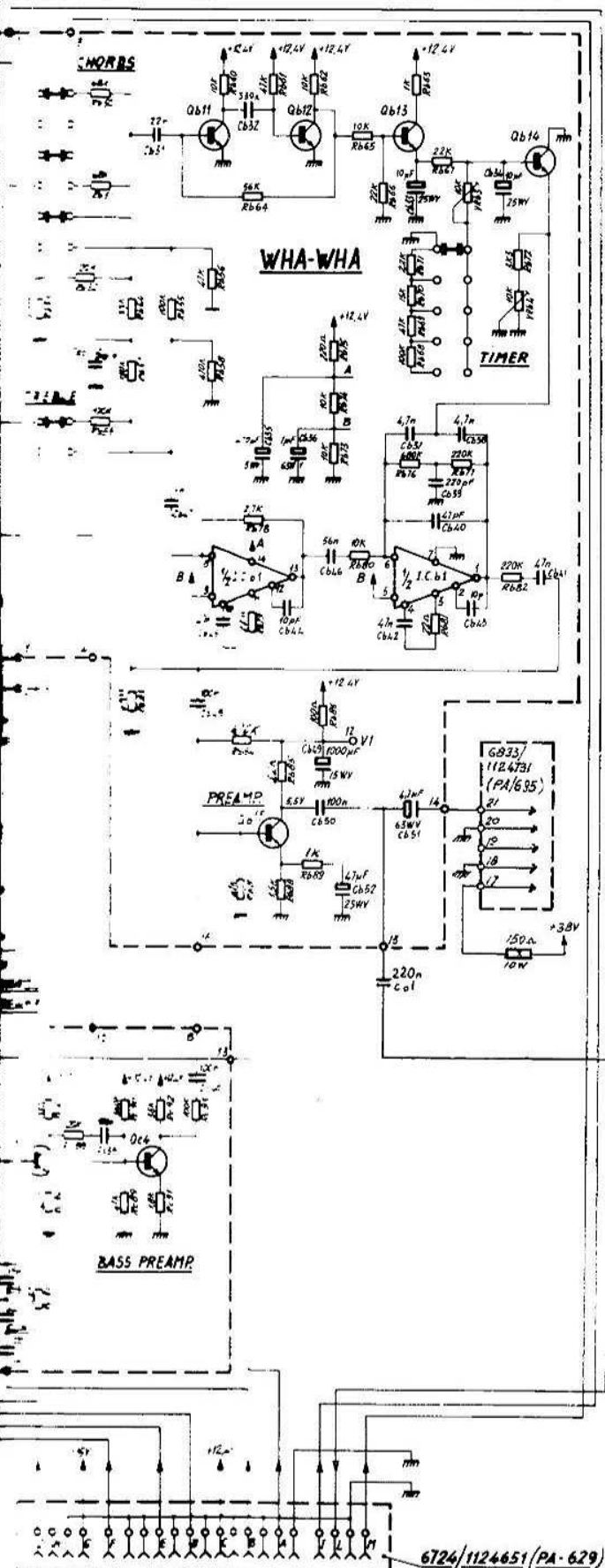




ALL RESISTORS 1/4 W UNLESS OTHERWISE INDICATED
 ALL TABSWITCHES SHOWN IN OFF POSITION
 N.B.: ALL KEYSWITCHES " " " " " "
 SEE PART LIST FOR COMPONENT PART NUMBERS
 ALL D.C. VOLTAGES MEASURED TO GROUND WITH A VOLTMETER 20,000 Ω

MOD: VIP.202-202P		SERIAL N°	
CODE	BRAWN BY	REVISION	
SE1242	DRKBY	DATE	1987



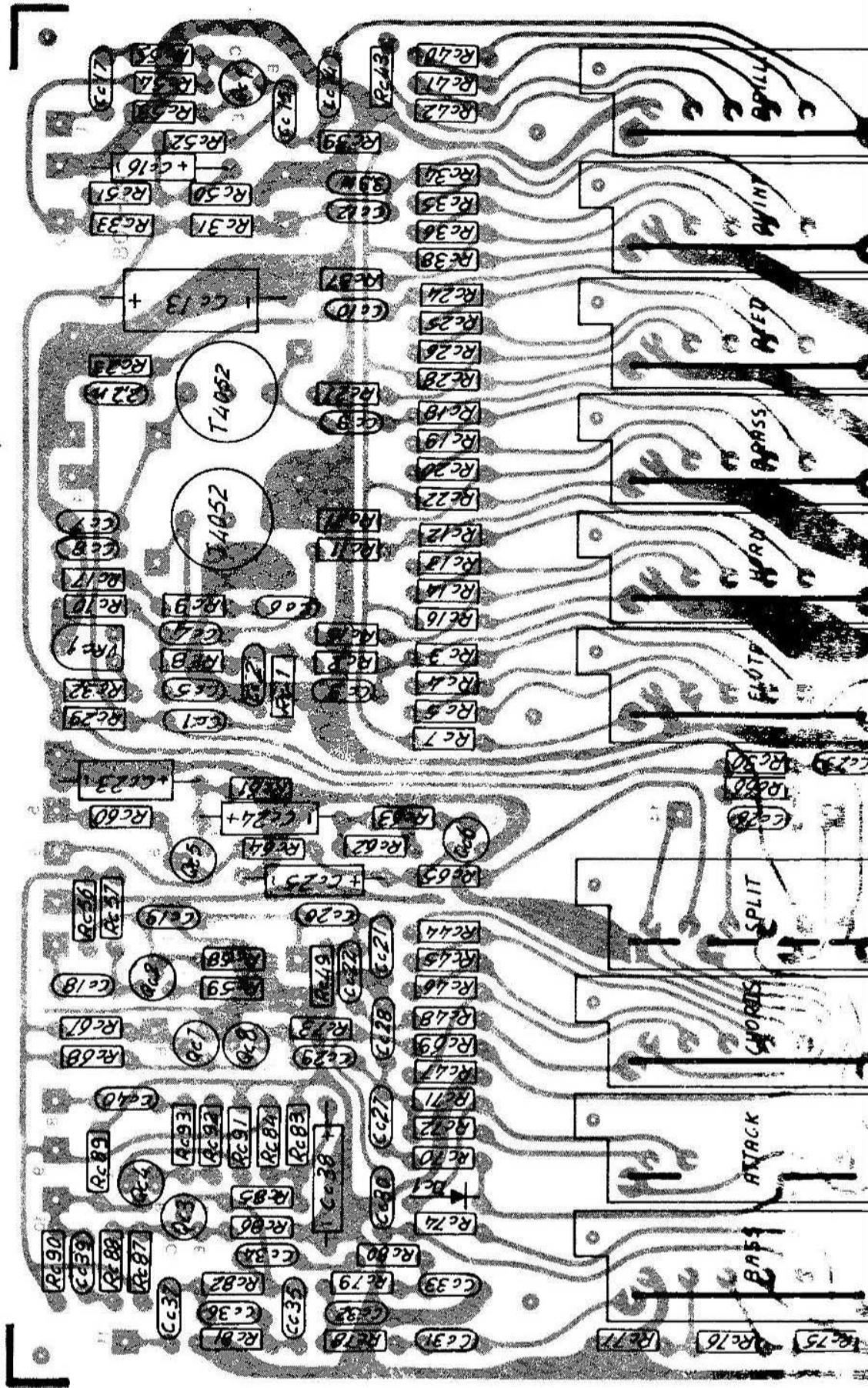


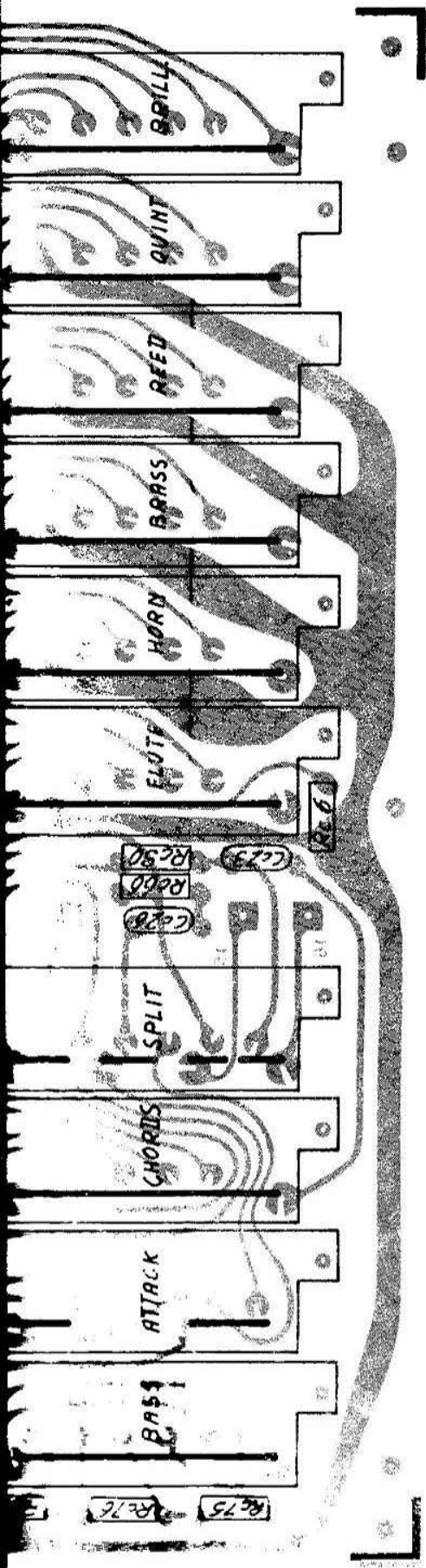
ALL RESISTORS 1/4W UNLESS OTHERWISE INDICATED
 ALL TABSWITCHES SHOWN IN OFF POSITION
 H.B. ALL KEYSWITCHES " " " " " "
 SEE PART LIST FOR COMPONENT PART NUMBERS
 ALL D.C. VOLTAGES MEASURED TO GROUND WITH A MULTIMETER 25,000Ω

MOD. VIP202CR	SERIAL #	
CODE SE1242	REVISION	
DRAWN BY [Signature]	DATE	19 8 76

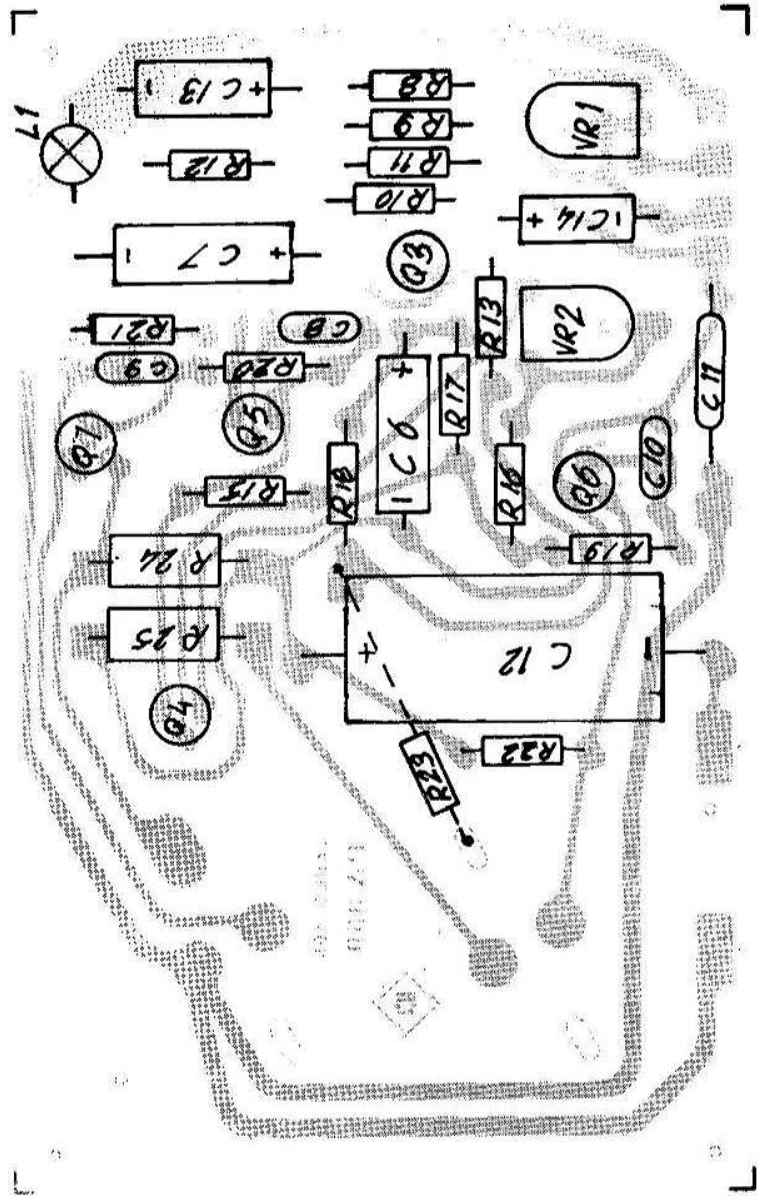
MANUAL BASS & FILTERS

PA-608

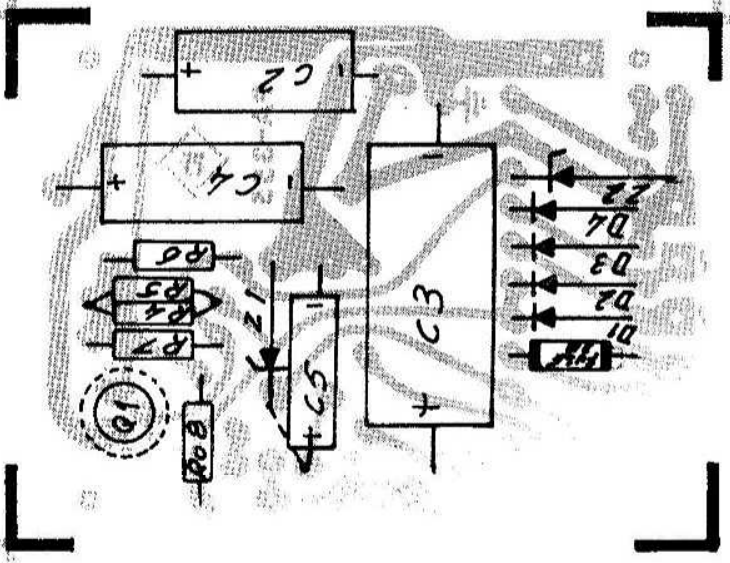


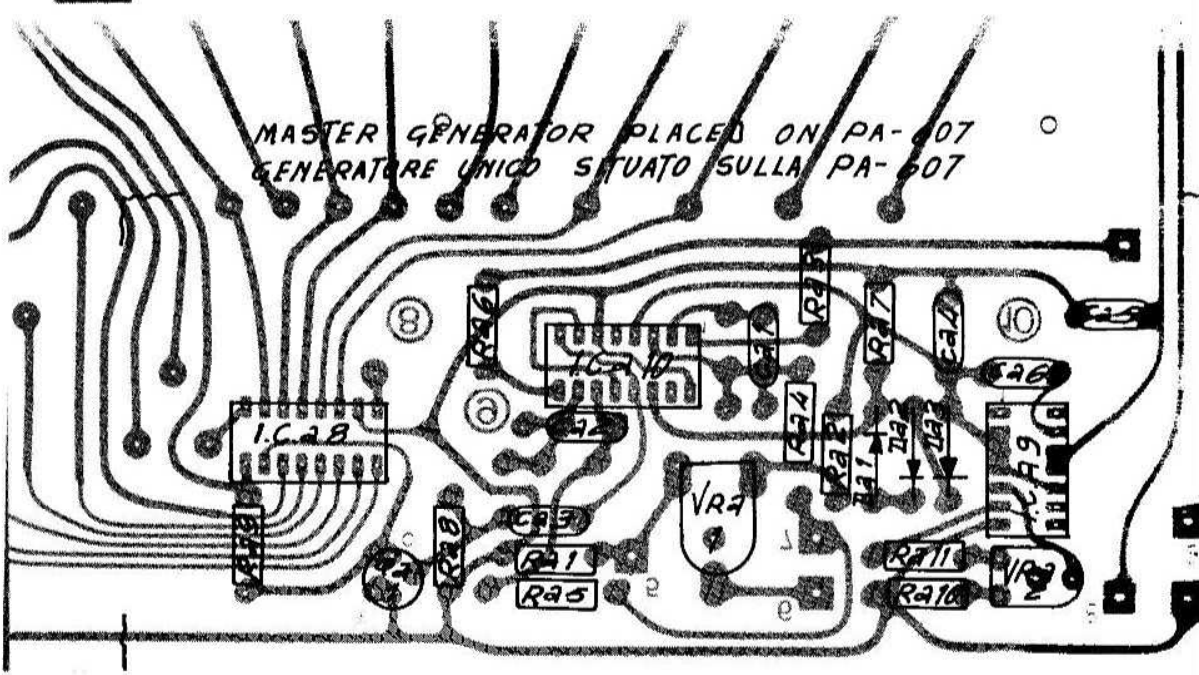
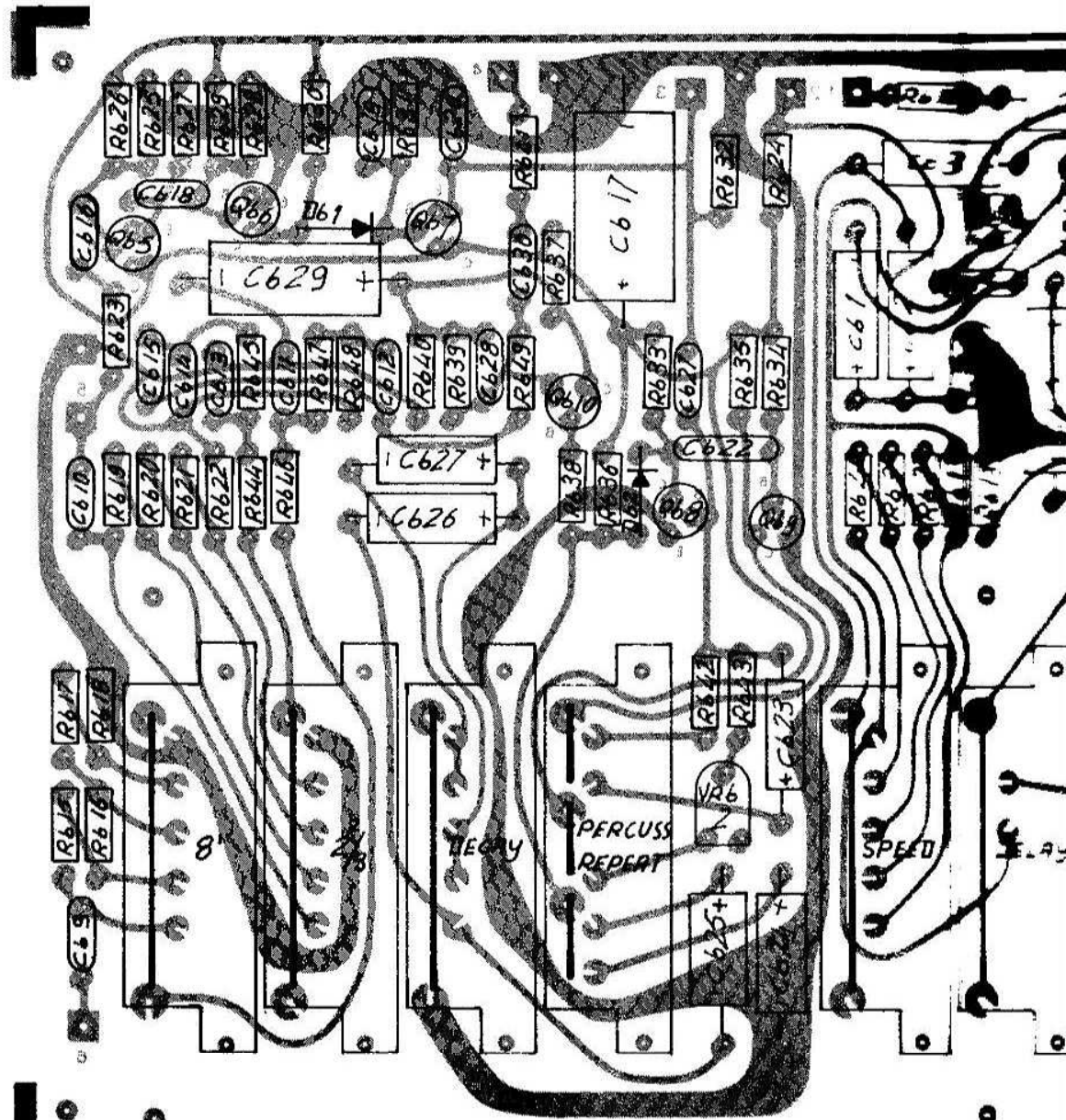


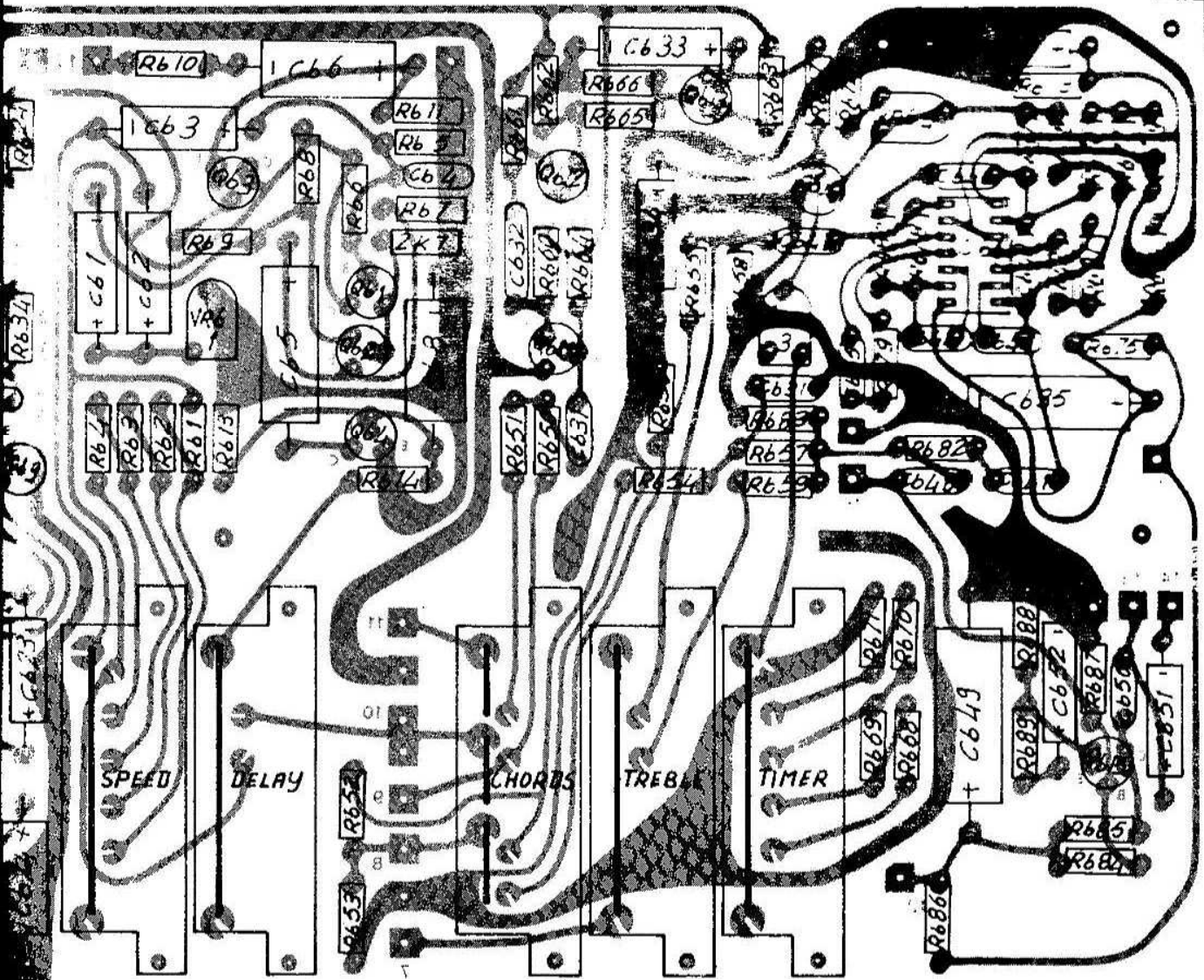
POWER AMPLIFIER PA-359/1



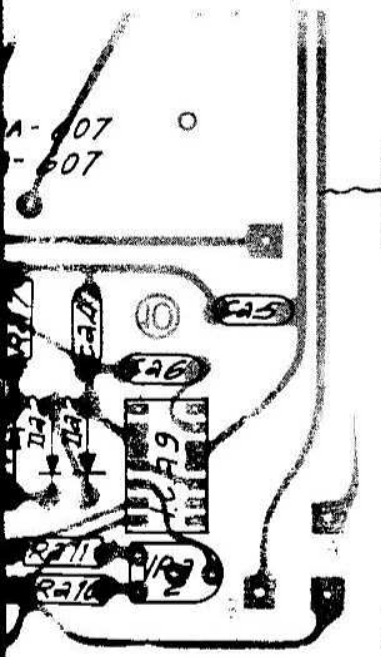
VOLTAGE REGULATOR PA-355





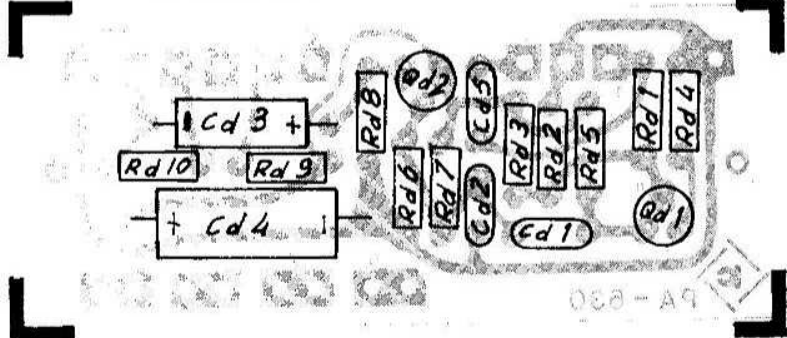


PA-609



HEADPHONE PREAMP.

PA-630



PA-630

VIP 202-202 R/CR

TRANSISTORS (Q) & DIODES (D) LIST

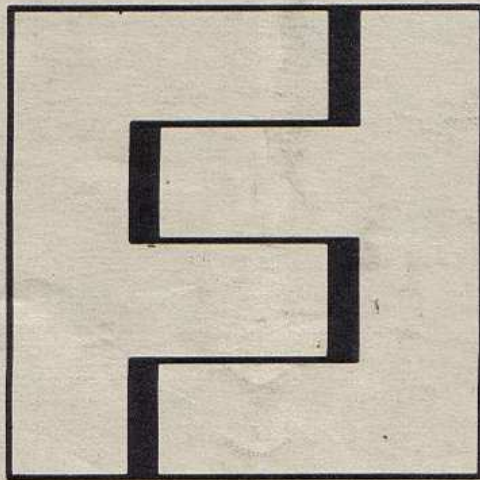
①

Schem.Ref.	Circuit	Type	Part Code
<u>CHASSIS</u>		<u>POWER SUPPLY CHASSIS (DWG 2/SE 242)</u>	
Q 2	Series Stabilizer.....	Westinghouse 156-043.. Solitron H 9340.....	W/1800
D 2	Rectifier Bridge.....	ITT B40-C 2200..... SIEMENS B 40-C 2200... AEG B 40-C 2200.....	B/1201
PA 355	<u>VOLTAGE REGULATOR BOARD (DWG 2/SE 242)</u>		<u>6449/1124601</u>
Q 1	Series Stabilizer.....	BC 286.....	W/1601
D 1	Rectifier Diodes (Bridge)..	TEXAS 1N 914.....	B/1002
Z 1	Voltage Reference-Diode Zener (13V - 1W)	ITT ZY 13..... MOTOROLA 1N 4743-A....	B/1418
Z 2	Voltage Reference-Diode Zener (15V - 400mW)	ITT ZPD 15..... MOTOROLA 1N 5245 B....	B/1319
PA 359-1	<u>POWER AMPLIFIER BOARD (DWG 2/SE 242)</u>		<u>6630/1124601</u>
Q 3	Input Preamplifier PNP.....	SGS IW 9640 - BC 154..	W/1500
Q 4	Temperature Compensator....	BC 207 A-B..... BC 209 B-C.....	W/1401 W/1407-1410
Q 5	Driver Amplifier NPN.....	SGS BC 286.....	W/1601
Q 6	Driver NPN.....	SGS BC 286.....	W/1601
Q 7	Driver PNP.....	SGS BC 287.....	W/1702
Q8 - Q9	Power Transistors.....	Westinghouse 156-043.. Solitron H 9340.....	W/1800
PA 608	<u>MANUAL BASS & FILTERS (DWG 2/SE 242)</u>		<u>6732/1111251</u>
Q c 1	Treble preamplifier.....	} BC 209 B red dot..... BC 109 B red dot.....	W/1413
Q c 2	Chords preamplifier.....		W/1415
Q c 3	Bass preamplifier.....		
Q c 4	Preamplifier.....		
Qc5-Qc6	Attack Control.....	} BC 208-B-C..... BC 209 B.....	W/1404
Qc7-Qc8	Buffers.....		W/1407
D c 1	Diode.....	D 525 B-BA 130.....	B/1000-B/1003

VIP 202-202 R/CR

TRANSISTORS (Q) & DIODES (D) LIST 2

Schem. Ref.	Circuit	Type	Part Code
<u>PA 607</u>	<u>KEYSWITCH & TONE GENERATOR (DWG 1/SE 242)</u>		<u>6731/1111251</u>
ICa1+ICa7	Frequency Divider.....	G.I.E. AY-1-5050.....	W/1100-W/1101
IC a 8	Master Tone Generation.....	G.I.E. AY-1-0212.....	W/1105
IC a 9	Voltage Regulator.....	SN 72723 N.....	W/1209
IC a10	Oscillator.....	SN 29730 N.....	W/1009
Qa1-Qa2	Buffers.....	BC 208-B-C.....	W/1404
Da1+Da3	Diodes.....	D 525 B-BA 130.....	B/1000-B/1003
<u>PA 609</u>	<u>VIBRATO - WHA - WHA (DWG 1-2/SE 242)</u>		<u>6733/1111251</u>
IC b 1	Wha-Wha Filter.....	SN 76131 white dot.....	W/1212
Qb1-Qb2	Vibrato Oscillator.....	} BC 208 BC.....	W/1404
Q b 3	Driver.....		
Q b 5	Buffer.....		
Q b 6	Amplifier.....		
Q b 7	Driver.....		
Qb8-Qb9	Multivibrator.....	} BC 209 B.....	W/1407
Q b 4	Delay.....	BC 209-C MISTRAL.....	W/1426
Q b 10	Keyer.....	BC 209-C MISTRAL.....	W/1426
Qb11-Qb12	Monostable Multivibrator...	} BC 208 B-C.....	W/1404
Q b 13	Buffer.....		
Q b 14	Switch.....	BC 209-B.....	W/1407
Q b 15	Preamplifier.....	BC 209-B red dot.....	W/1413
D b 1	Diode.....	D 525 B-BA 130.....	B/1000-B/1003
D b 2	Diode.....	IR 10 D1-10 D4.....	B/1100-B/1101
		IR 10 D2.....	
<u>ONLY MOD. VIP 202-VIP 202R</u>			
<u>PA 630</u>	<u>HEADPHONE PREAMPLIFIER (DWG 2/SE 242)</u>		<u>6734/1111251</u>
Qd1-Qd2	Preamplifier.....	BC 209 B red dot.....	W/1413
		BC 109 B red dot.....	W/1415



FARFISA S.p.A.
IS A SUBSIDIARY
OF LEAR SIEGLER, Inc. 